



APPLIED INSTRUMENTS, INC.

TELECOMMUNICATIONS INSTRUMENTATION

NS-3 RF Noise Source for Bench and ATE Test Applications

The NS-3 Broadband RF Noise Generator provides an extremely flat AWGN (Additive White Gaussian Noise) signal from 5 to 2150 MHz. The output level adjusts in 0.1 dB steps over a 30 dB range.

The bench-top configuration is standard and an optional two unit rack enclosure is available. The RS232 remote control interface simplifies its use in automated test and factory ATE environments.

The NS-3's combination of range, versatility and value make it the ideal general purpose broad-spectrum signal source for bench and ATE applications.

NS-3™ RF Noise Source



Applications

- Digital signal simulation
- Active device loading
- Carrier-to-noise generation
- Interference testing
- RF leakage
- Frequency response testing
- Intermodulation testing
- Insertion loss

“Reliability through Simplicity”

FEATURES

- 5 MHz to 2.15 GHz RF noise generator
- 30 dB of output level adjustment in 0.1 dB steps
- On/off modulation at 3 selectable rates
- Remote control via RS232

STANDARD ACCESSORIES

- AC line cord
- 30" 75 Ohm male BNC patch cable

OPTIONS

- Rack-mount kit
- Rear panel N connector
- BNC 50 Ohm matching pad
- External amplifier, 35 dB gain
- External band-pass filters, inquire for frequencies

FUNCTIONS

- RF on/off
- Adjustable level (keypad, arrows, adjustable step size)
- Selectable reference (max down, min up, reference pt.)
- On/off pulse modulation (slow, medium, fast, none)
- Standard SCPI language remote control

SPECIFICATIONS

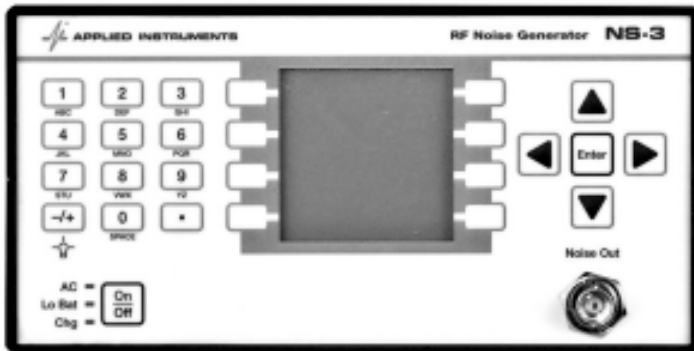
Frequency	5 MHz to 2.15 GHz
Output signal	White Gaussian Noise
Output level	-120 to -90 dBm/Hz
Impedance	75 Ohms
Displayed level	Relative
Remote control	RS232
Level adjustment	30 dB in 0.1 dB steps
Input power	(120/240 VAC)
Output connector	BNC
Size and weight	7.3"W x 3.7"H x 9.25"D, 4.5 lbs 18.5cm x 9.4cm x 23.5cm, 2.04 kg

MAX OUTPUT LEVEL

- -90 dBm/Hz
- +13 dBmV @ 280 KHz bandwidth
- +26 dBmV @ 5.2 MHz bandwidth
- -17 dBm @ 20 MHz bandwidth
- +2 dBm total power

FLATNESS

- +/- 1.0 dB 5 MHz to 1 GHz
- +/- 2.0 dB 5 MHz to 2 GHz
- Usable to 2.15 GHz



5230 Elmwood Ave.

Indianapolis, Indiana 46203 USA

Tel: (317) 782-4331 Fax: (317) 786-9665

Toll Free in USA: 1-800-244-2976

<http://www.appliedin.com>

 **APPLIED INSTRUMENTS, INC.**
TELECOMMUNICATIONS INSTRUMENTATION